

# Interchangeable Core Cylinder

**Part number:** CL-SFIC

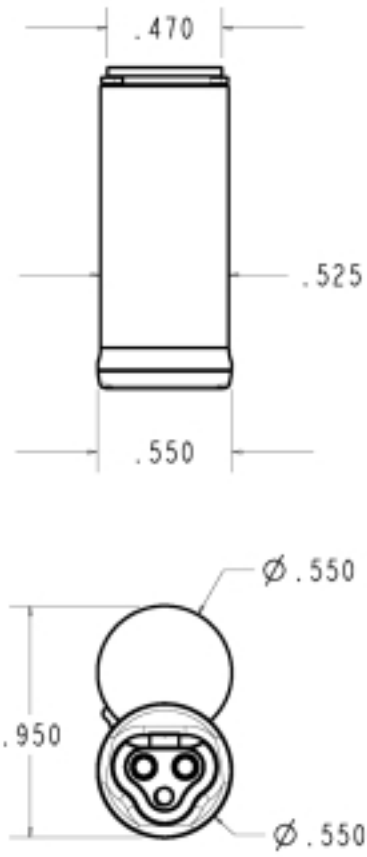
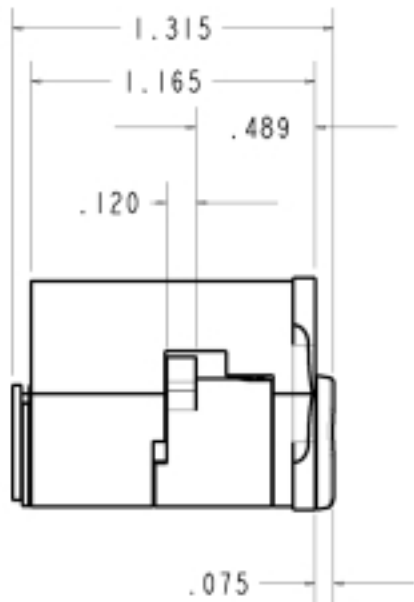


The CyberLock interchangeable cylinder is an electronic version of the small format IC cylinder.

The CyberLock interchangeable core is designed to the exact dimensions of the mechanical version and is compatible with the industry's leading lock hardware. For doors, the CyberLock IC cylinder replaces mechanical cylinders in Falcon, Best, Arrow, Marks, and Schlage hardware. For padlocks, the CyberLock IC cylinder works with the Master, American, and the new Xperinetix hockey puck style padlock.

After you install the CyberLock IC cylinder, there is a high probability that you will never remove it again since re-keying is done electronically through the programming of the locks and keys.

Notes:  
 All dimensions in inches  
 Drawing not to scale



# Interchangeable Core Cylinder

Part number: CL-SFIC

## Specifications

<b>Finish</b>	Nickel plating
<b>Operating Temperature</b>	-40° to 160° F; -40° to 70° C
<b>Power Requirements</b>	None; power supplied by battery in key
<b>Access Schedule</b>	Individual schedule programmed into CyberKey provides complete control over specific days, times during selected days, and holidays
<b>Access Options</b>	Standard one key access; multiple key custody of up to four keys to open lock; delayed access
<b>Key Limitation</b>	No limit to number of keys that lock cylinder can support
<b>Audit Capacity in Lock</b>	Last 1100 events with date and time

## Control Key for Interchangeable Core Cylinder

Part number: CK-C1



Videx has designed a control key for installing or removing the interchangeable cylinder. The control key rotates the cam to lock or unlock the cylinder from the housing.

The control key has intelligence and can be programmed with special security features:

- Control key can be set with distinct start and end times, limiting the time that it is active.
- Two-key option that requires the control key and one other key to be present when a cylinder is installed or removed.
- A record of exactly who installed or removed the cylinder and the specific date and time this was done.